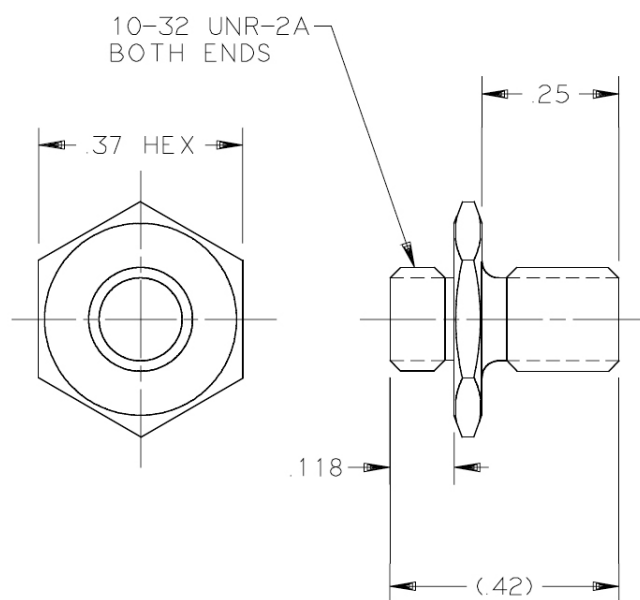


Mounting adapter 2980M12

Accessory



Isolated mounting adapter with 3/8 inch hex for use with accelerometers with a 10-32 thread.

Specifications

Thread size, mounting side	10-32
Thread size, accel side	10-32
Material	Anodized aluminum
Weight (grams)	0.6
Isolated	Yes
Max torque	18 in-lbs



Continued product improvement necessitates that Endevco reserve the right to modify these specifications without notice. Endevco maintains a program of constant surveillance over all products to ensure a high level of reliability. This program includes attention to reliability factors during product design, the support of stringent Quality Control requirements, and compulsory corrective action procedures. These measures, together with conservative specifications have made the name Endevco synonymous with reliability. 082119