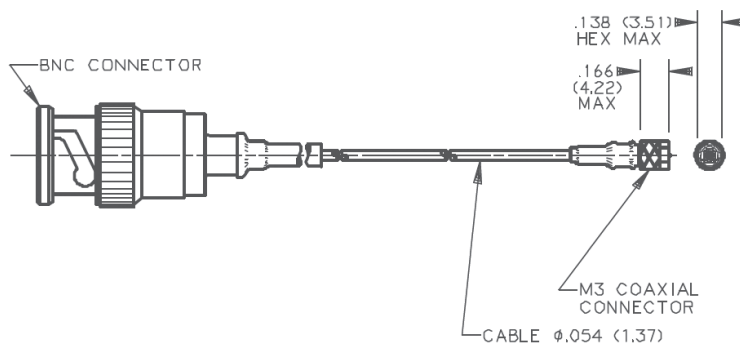


## Premium low-noise coaxial cable assembly Model 3053VM1 VersaFLEX



OUTLINE DRAWING

STANDARD TOLERANCE  
INCHES (MILLIMETERS)  
.XX = ± .03 (.X = ± .8)  
.XXX = ± .010 (.XX = ± .25)

The 3053VM1 is a premium low-noise cable for use with charge mode piezoelectric accelerometers that utilize an M3 threaded connector and a BNC connector at the instrumentation end. The proprietary cable jacket is made from extruded water resistant PFE Teflon for highest reliability. Additionally, the cable is 20% more flexible than most Teflon® jacketed cables.

The raw cable, M3 connector and pin assemblies, are made in-house to ensure the highest quality product available, making this a cable that is unique to the industry. These cables are 100% tested for insulation resistance, capacitance and triboelectric noise. The M3 connector's glass dielectric provides a reliable hermetic seal for operation in humid atmospheres.

### Key features

- For use with accelerometers having M3 connectors
- Critical parameters - 100% tested
- Welded center conductor to pin construction
- Fused glass stainless steel housing to center pin
- Wide temperature range
- Extruded outer jacket
- Lightweight, flexible

## Premium low-noise coaxial cable assembly

### Model 3053VM1 VersaFLEX

#### Specifications

The following specifications are typical and taken at approximately 75°F (24°C) unless otherwise noted.

Characteristics	Units	3053VM1
Connector 1 (accelerometer end)		M3 X 0.05
Dielectric material		Glass
Pin material		304L stainless steel
Connector housing material		304 stainless steel
Coupling nut material		High strength bronze alloy
Strain relief material		Teflon® sleeving
Torque	lb-in (Nm)	Finger tight to 1.5 (0.17)
Lock wire holes		Yes
Weight	gm	0.43
Connector 2 (instrumentation end)		BNC male plug
<b>Cable</b>		
Color (2)		Translucent red
Outer Jacket		Extruded PFA Teflon®
Center conductor		Solid
Conductor material		Silver plated annealed copper weld
Conductor size	AWG	33
Primary Insulation		PTFE Teflon®, noise treated
Cable type		Coaxial
Diameter	in (mm)	0.054 (1.37)
Shield material		Silver plated copper
Weight		3.11 lb/1000 ft (1.42kgm /305 meters)
Bend Radius	in (mm)	0.50 (12.7)
Raw cable part number		40201
<b>Environmental</b>		
Minimum temperature, M3 connector	°F (°C)	-432 (-254)
Maximum temperature, M3 connector	°F (°C)	500 (260)
Minimum temperature, BNC connector	°F (°C)	-67 (-55)
Maximum temperature, BNC connector	°F (°C)	392 (200)
Minimum temperature, raw cable	°F (°C)	-148 (-100)
Maximum temperature, raw cable	°F (°C)	500 (260)
Cable pullout M3 connector end	lbs (kg)	5 (2.3 ) min.
Pin pull out	lbs (kg)	33 (15)
Shock	g pk	10,000
Random vibration	g rms	20.7
Sinusoidal vibration	g pk	1,000
<b>Electrical</b>		
Noise (1)	pC pk - pk	1.5
Capacitance (1)	pF/ft	32
Insulation resistance at 100Vdc (1)	GΩ	>50 up to 500 ft.

## Premium low-noise coaxial cable assembly

### Model 3053VM1 VersaFLEX

#### Accessories

Product	Description	3053VM1
40365	End Wrench	Included

#### Length tolerance tabulation

Length inches (millimeters)	Tolerance inches (millimeters)
Up to 12 (304.8)	+ 1.0 (25.4)
>12 to 36 (330.2 to 914)	+2.0 (50.8)
>36 to 120 (939.8 to 3.05 meters)	+4.0 (101.6)
> 120 (3.05 meters)	+4.0 (101.6) per 120 (3.05) or part thereof +12 = maximum tolerance

#### Notes

1. These parameters are 100% tested.
2. Small color variations may occur during normal batch processing, but have no impact on product performance.

#### Ordering Information

1. Specify as 3053VM1-XXX where XXX = cable length, in inches.
2. Standard lengths, in inches, are: 120, 240, 360 and 600.
3. Maintain high levels of precision and accuracy using Endevco's factory calibration services. Call Endevco's inside sales force at 866-ENDEVCO for recommended intervals, pricing and turn-around time for these services as well as for quotations on our standard products.

#### Contact

##### ENDEVCO

www.endevco.com

Tel: +1 (866) ENDEVCO

[+1 (866) 363-3826]